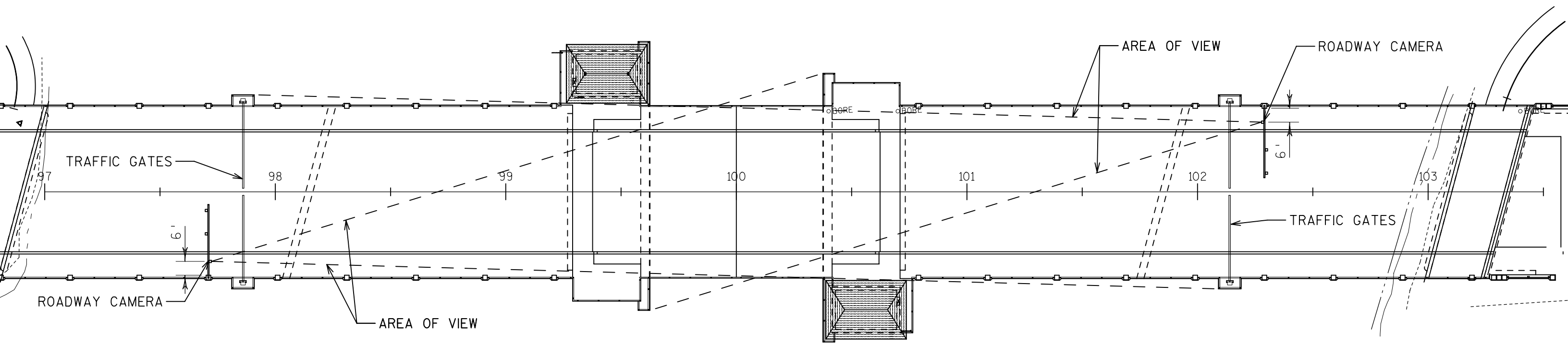
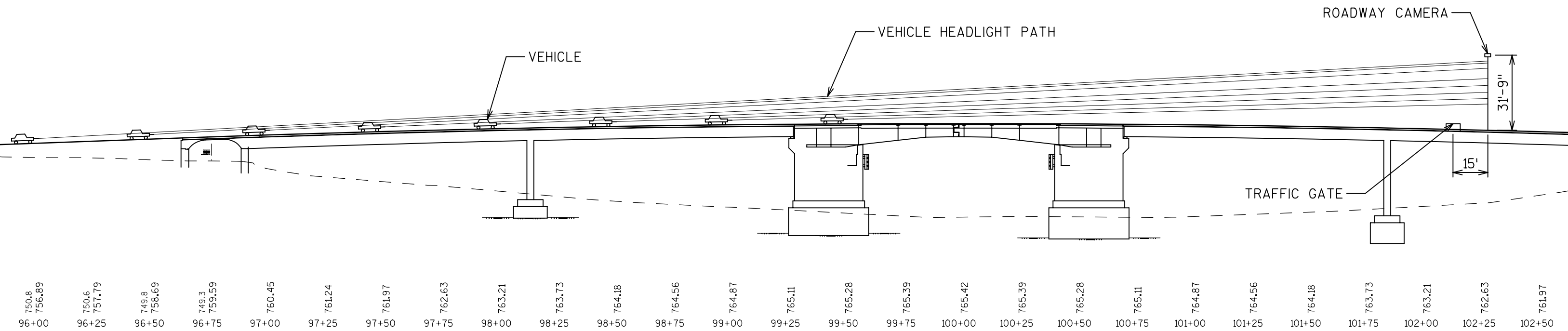


# ***APPENDIX E***



PLAN VIEW - TYPICAL MOVABLE BRIDGE EQUIPPED WITH CAMERAS  
 ROADWAY CAMERA VIEWING AREA

SCALE: 1" = 40'



PROFILE VIEW - TYPICAL MOVABLE BRIDGE EQUIPPED WITH CAMERAS  
 VEHICLE HEADLIGHT ANGLE TOWARD ROADWAY CAMERA

SCALE: 1" = 40'